

Combi 108 IP66 – 2,5 mm²

Material	Polypropylene
Material sealing gasket	TPE
Temp. range min	-30 °C
Temp. range max	100 °C
Temperatures during install.	-5 °C - 60 °C
Protection class	IP66
Glow wire test	750 °C
Voltage	400 V
Rated cross section	2,5 mm ²
Terminals/poles	5-pole, 2,5 mm ²
Fixing	2 internal openings
Ø cable diameter min	3 mm
Ø cable diameter max	14 mm
External dimensions LxWxH	76 x 76 x 51mm
Tariff number	85369010

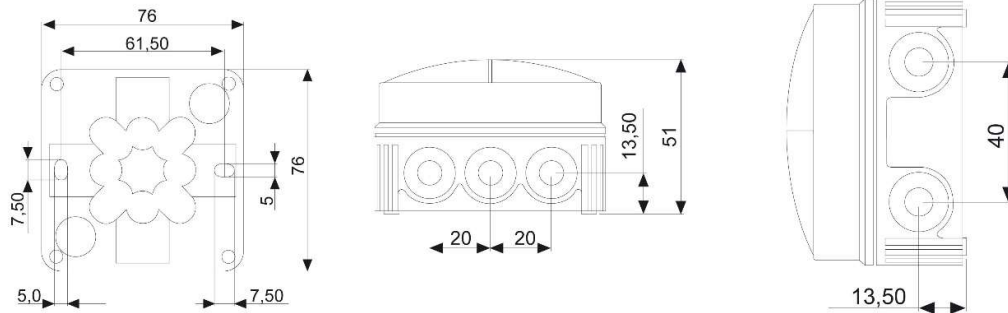
Remarks:

Equipment:

- 10 elastic self-sealing puncture-membranes for cable entry on the side and 2 in the bottom

Fixing:

By two internal openings outside of the sealing area



EL-number	Type	LxBxH	Terminal	Cable Ø	RAL	Packing
1321465064	108	76x76x51	-	3 – 14	7035	100
1321465077	108	76x76x51	-	3 – 14	9005	100
1321465080	108/5	76x76x51	-	3 – 14	9001	100
1321465132	108	76x76x51	5-poles	3 – 14	7035	100
1321465145	108/5	76x76x51	5-poles	3 - 14	9001	100